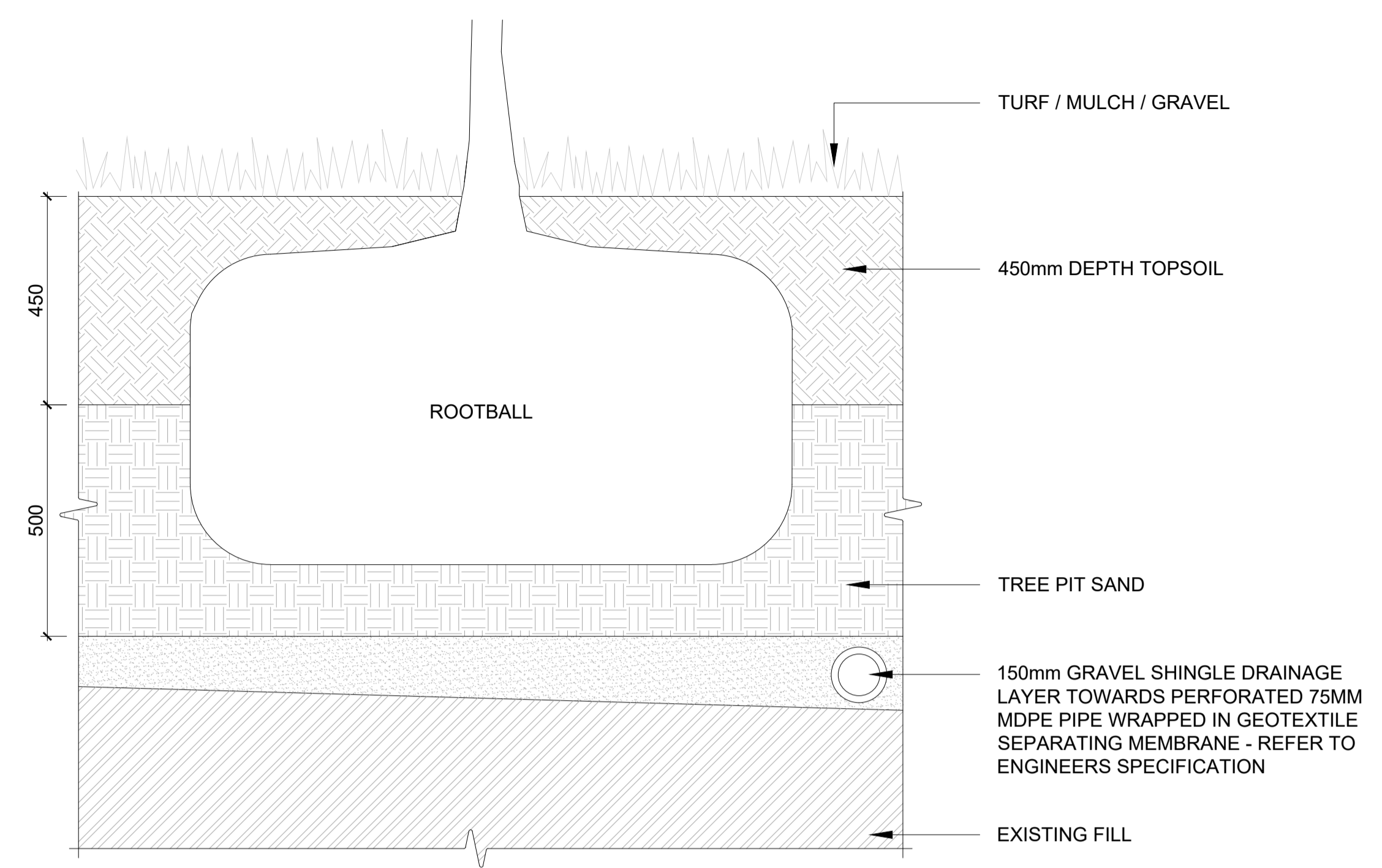


NOTE
 ALL DIMENSIONS TO BE CHECKED ON SITE
 NO DIMENSIONS TO BE SCALED FROM THIS DRAWING
 THIS DRAWING IS TO BE READ IN CONJUNCTION WITH
 RELEVANT CONSULTANTS DRAWINGS
 NO PART OF THIS DOCUMENT MAY BE RE-PRODUCED OR
 TRANSMITTED IN ANY FORM OR STORED IN ANY RETRIEVAL
 SYSTEM OF ANY NATURE WITHOUT THE WRITTEN PERMISSION
 OF THE LANDSCAPE ARCHITECT AS COPYRIGHT HOLDER EXCEPT
 AS AGREED FOR USE ON THE PROJECT FOR WHICH THE
 DOCUMENT WAS ORIGINALLY ISSUED.
 FOR DRAWING INDEX, GENERAL NOTES, REFER TO
 DWG L1-001

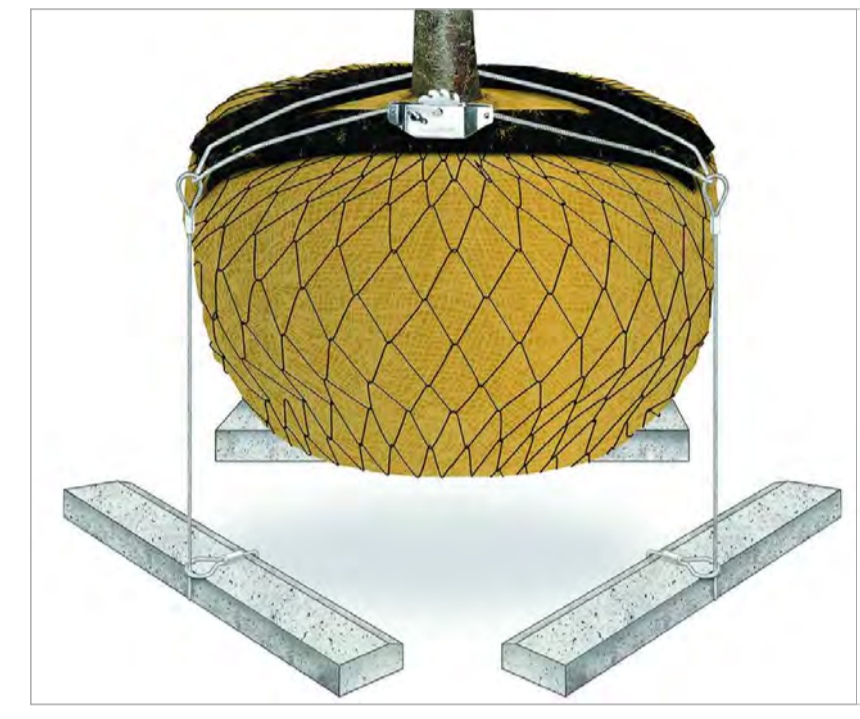
CLIENT:

ATLAS GP LIMITED

ARCHITECTS:



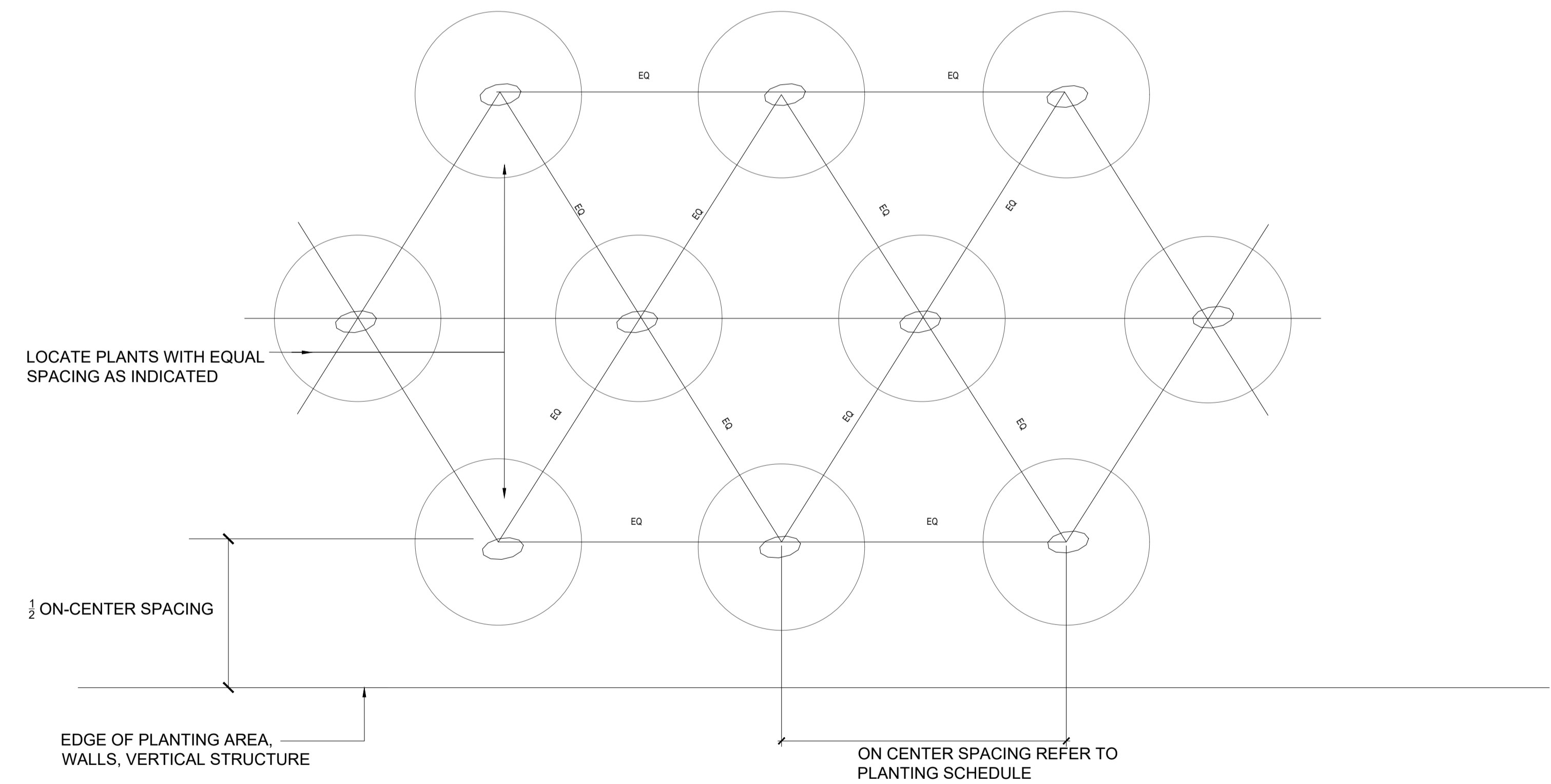
01 TYPICAL TREE SOIL PROFILE
 SCALE: 1:10 @A1



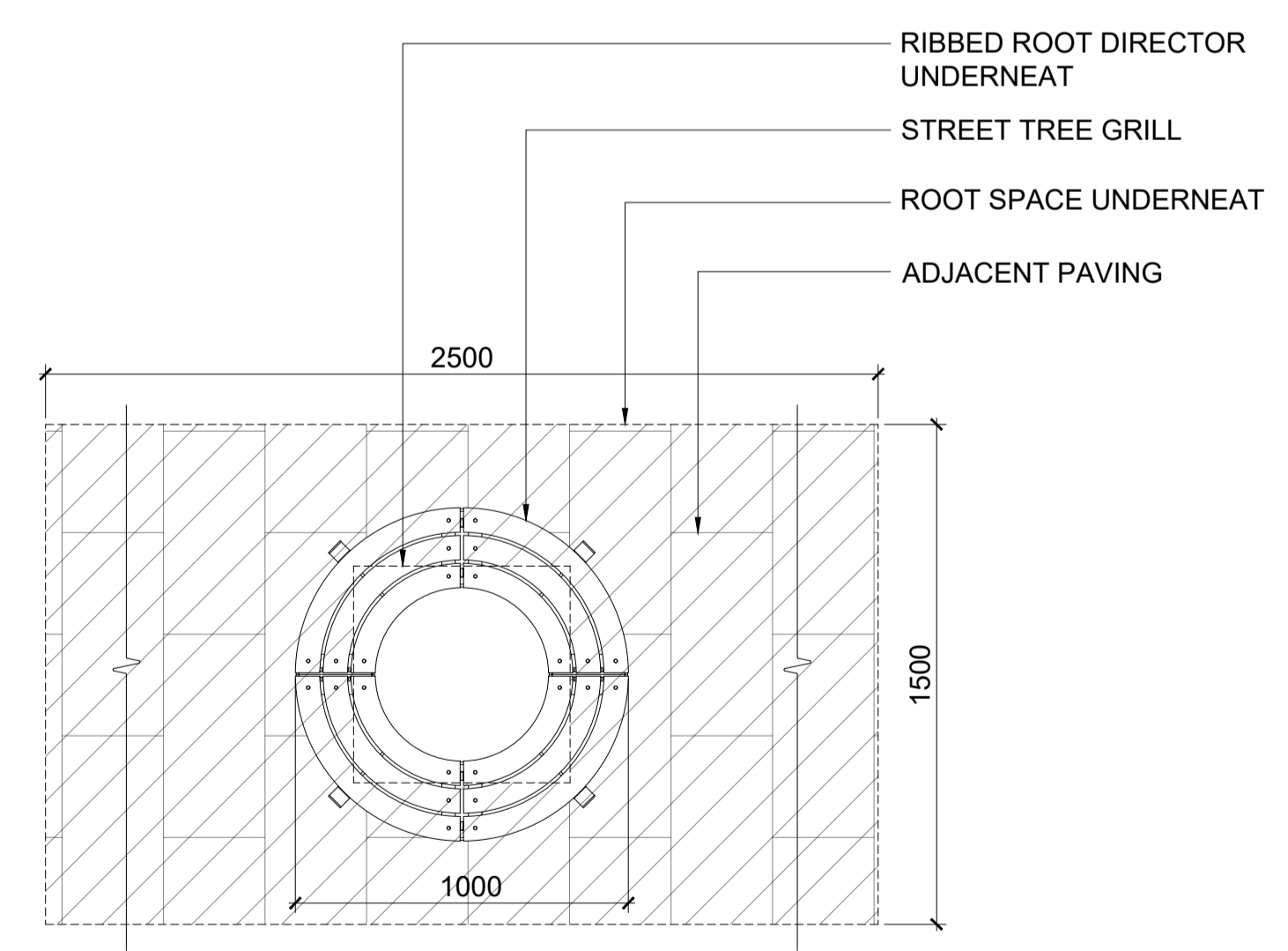
02 TREE ANCHOR SYSTEM



03 LAWN TREE PIT AND MULCH DETAIL



04 TYPICAL SHRUB PLANTING SPACING
 SCALE: 1:20 @A1



05 TYPICAL TREE PIT IN PAVING
 SCALE: 1:20 @A1

REVISIONS			
Job No.	18A5A	Drawn By	Author
Dwg No.	A-L1-907	Checked By	Checker
Scale	@A1	Date	AUGUST 2022

JOB DESCRIPTION	
Site	FORMER AVID TECHNOLOGY SITE
Project	CARMANHALL ROAD SHD 2022
Title	SOFT LANDSCAPE DETAILS 2 OF 2